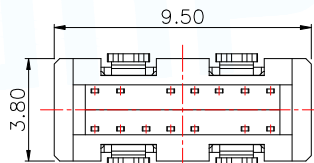
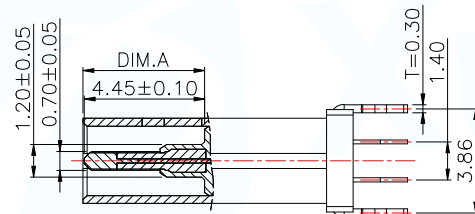
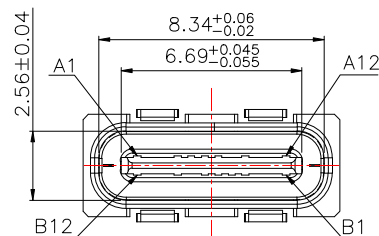
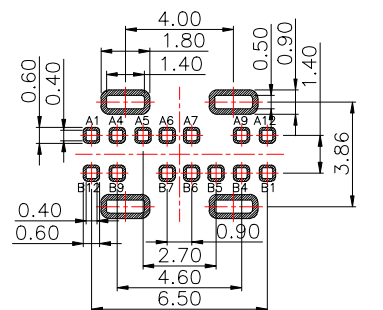
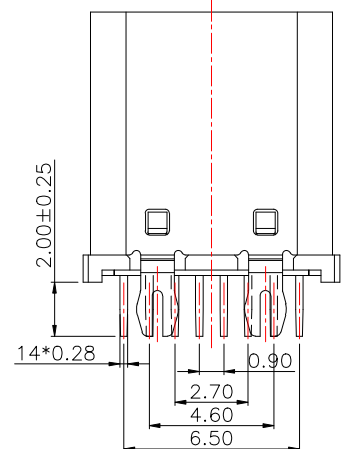


SPECIFICATION:

- MATERIAL & FINISH:SEE THE LIST;
- PLATING SPECIFICATION:
 - CONTACTS:
 - Ni 50u" MIN. UNDER PLATED OVER ALL.
 - Au PLATED ON THE MATING AREA OF CONTACT.
 - Sn PLATED ON THE SOLDER AREA.
 - SHELL: Ni 30u" MIN. UNDER PLATED OVER ALL.
 - MID PLATE: CLEAR ONLY
- MECHANICAL:
 - MATING FORCE: 0.5~2.0kgf;
 - UNMATING FORCE: 0.8~2.0kgf.
 - DURABILITY: 10000 CYCLES;
- ELECTRICAL:
 - CURRENT RATING: 5A Max;
 - VOLTAGE RATING: 20V Max;
 - DIELECTRIC WITHSTANDING VOLTAGE: 100VAc;
 - CONTACT RESISTANCE: 40mΩ Ohms Max.;
 - INSULATION RESISTANCE: 100M Ohms Min.;
- ENVIRONMENTAL:
 - OPERATING TEMPERATURE: -40°C~+85°C;
 - WETTING TEMPERATURE: 265±5°C, 5±0.5s
 - Salt Spray Test: 48H Min



NO.	DIM.H	DIM.A
TYPEC-214-ARP14H100	10.0	4.50
TYPEC-214-ARP14H105	10.5	5.00

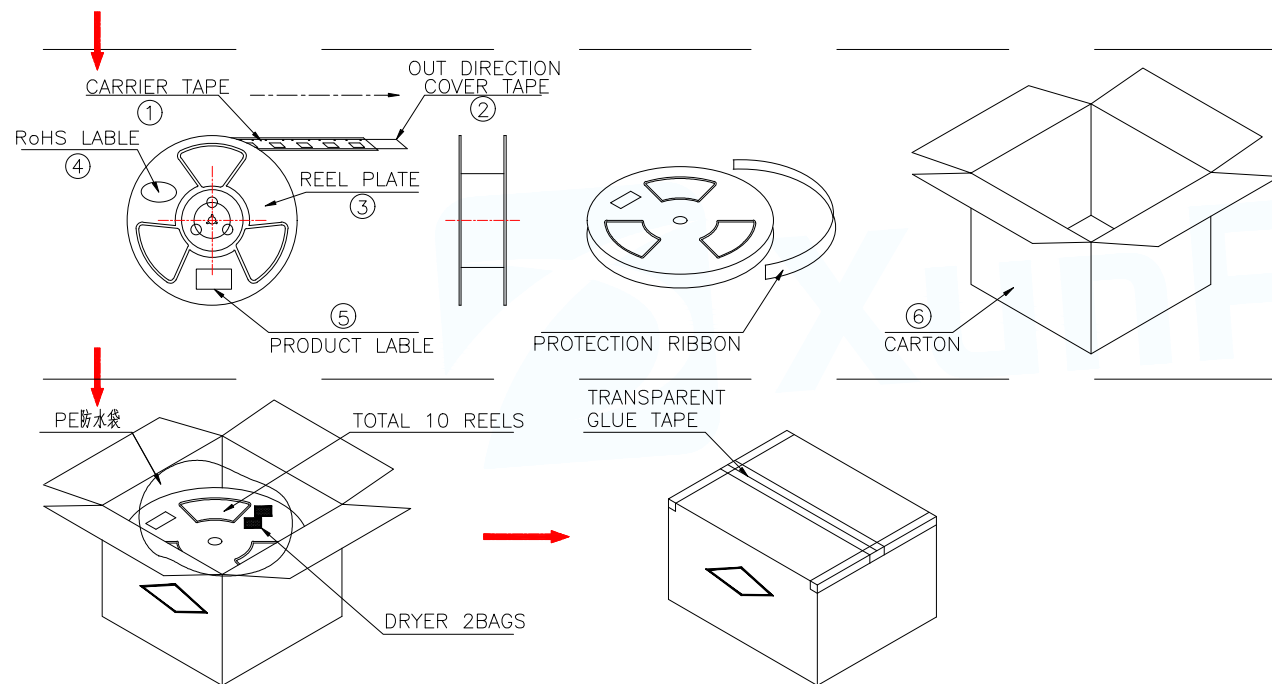
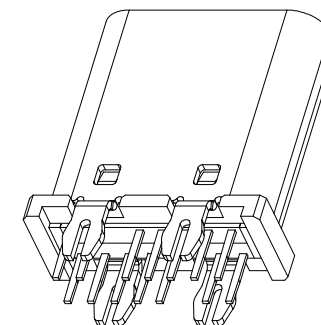
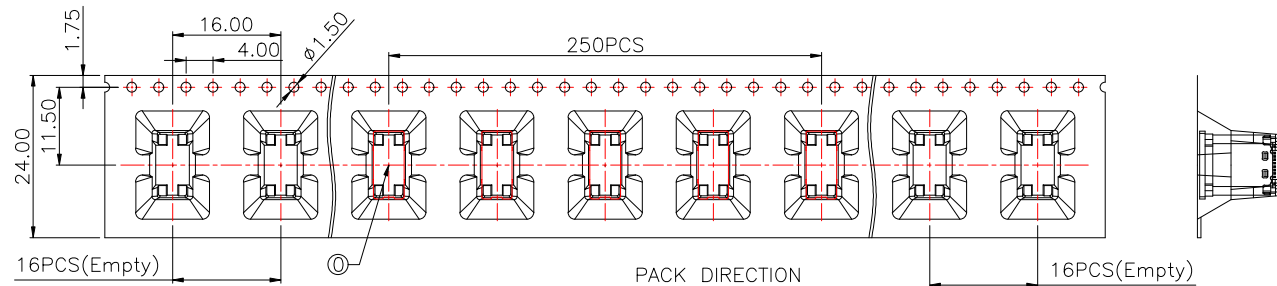


RECOMMENDED P.C.B. LAYOUT
TOLERANCE UNSPECIFIED ±0.05mm

PIN DEFINE TABLE			
PIN	SIGNAL	PIN	SIGNAL
A12	GND	B1	GND
A11		B2	
A10		B3	
A9	VBUS	B4	VBUS
A8		B5	CC2
A7	D-	B6	D+
A6	D+	B7	D-
A5	CC1	B8	
A4	VBUS	B9	VBUS
A3		B10	
A2		B11	
A1	GND	B12	GND

NO.	PART NAME	Q'TY	MATERIAL	FINISH
4	Shell	1	Stainless Steel,T=0.30mm	30u"Ni Min.
3	GroundBar	1	Stainless Steel,T=0.15mm	No Plating
2	Contact	14	Copper Alloy,T=0.15mm	Au/Sn/Ni-Plated
1	Housing	1	High temperature plastic	UL94 V-0,Black

MANUFACTURE DWG				
UNLESS OTHERWISE SPECIFIED TOLERANCES			TITLE:TYPE-C 14P直立式DIP型母座 H10.0&10.5mm	
DECIMALS:	ANGLES:		PAR	TYPEC-214-ARP14HXXX
.X:±0.35	.X':±3.0°		DWN	
.XX:±0.25	.XX':±2.5°		CHKD	
.XXX:±0.15	.XXX':±2.0°		APVD	
CUSTOMER COPY		SCALE:1:1	UNIT:MM	REV:A
		SIZE:A4	SHEET:1F1	



说明:

1. 每卷前后各空 16PCS,尾部用美纹胶纸封住;
2. 将产品放满盘后,再卷一圈保护带,用美纹胶纸将其封住,并贴上1Pcs物料标签;
3. 每10卷盘一叠共2500Pcs并装入1个外箱内;
4. 在搬运过程中要轻拿轻放;
5. 在运输中不可堆放过多(1.8M最高),不可重压;
6. 跌落测试条件:
成品箱从1.2米高度自由落体(一角三棱六面):
a. 产品不可跑出下带凹槽;
b. 产品不可有摔伤,变形;
c. 内包装材料不可严重破损.

NO.	NAME	SPEC	Q'TY
⑥	TYPE C RECEPTACLE		2500PCS/CARTON
①	CARRIER TAPE	W=24mm,T=0.50mm	250PCS/PLATE
②	COVER TAPE	W=21.3mm	10PLATES/CARTON
③	REEL PLATE	φ330*100*24.4mm	10PCS/CARTON
④	RoHS LABEL		10PCS/CARTON
⑤	PRODUCT LABER		10PCS/CARTON
⑥	CARTON	350*340*310mm	1PCS/PACKAGE

MANUFACTURE DWG			东莞市讯普电子科技有限公司 DongGuan XunPu Electronics Co.,Ltd	
UNLESS OTHERWISE SPECIFIED TOLERANCES			TITLE:TYPE-C 14P直立式DIP型母座 H10.0&10.5mm	
DECIMALS:	ANGLES:		PAR	TYPEC-214-ARP14HXXX
.X:±0.35	.X':±3.0°		DWN	
.XX:±0.25	.XX':±2.5°	CHKD		
.XXX:±0.15	.XXX':±2.0°	APVD		
CUSTOMER COPY		SCALE1:1	UNIT:MM	
		SIZE:A4	SHEET:1F1	REV:A