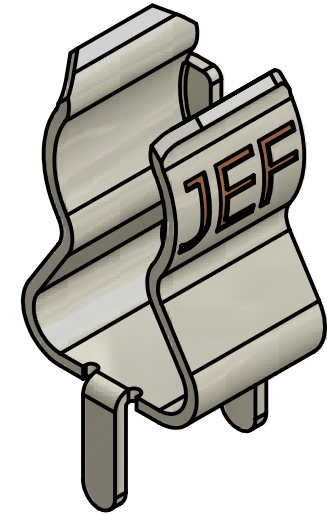
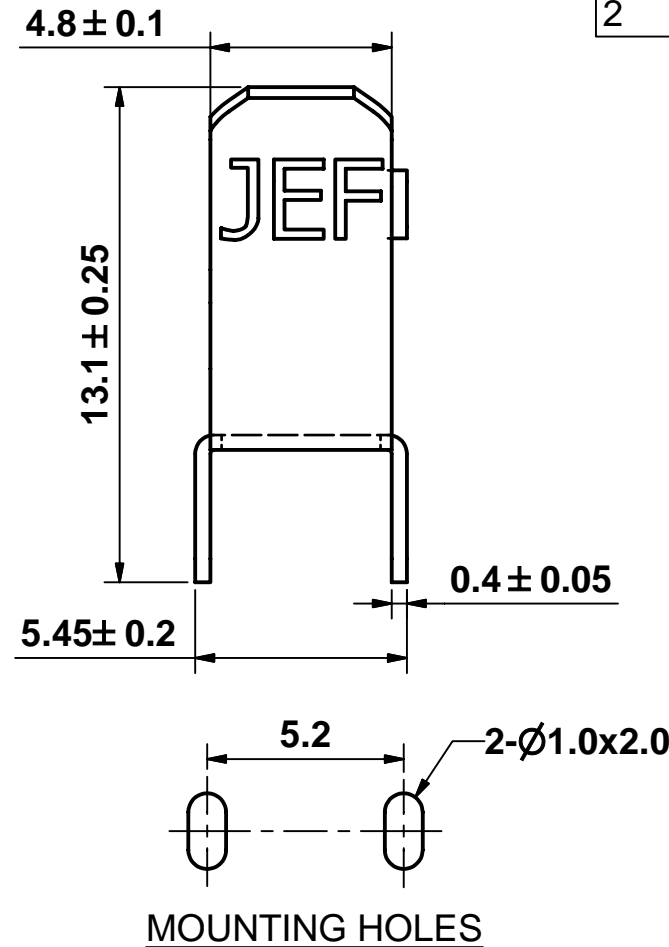
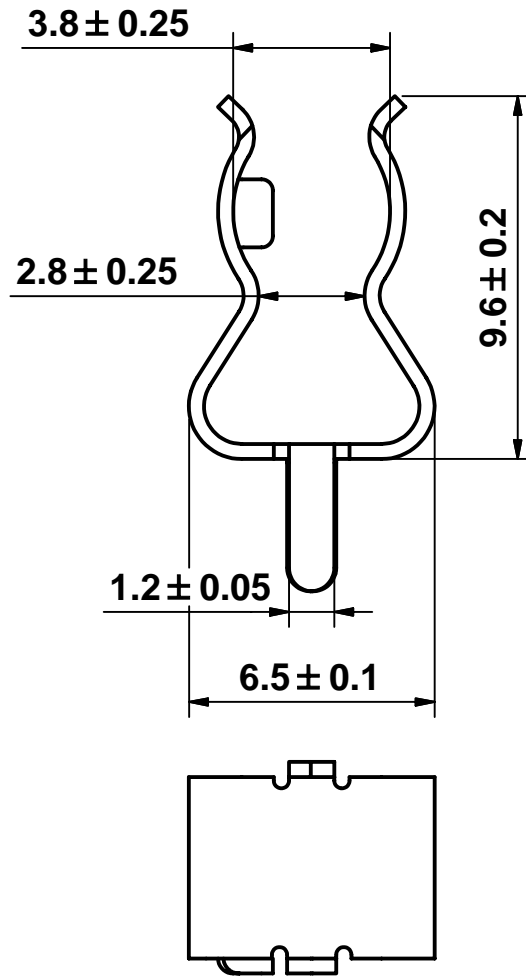

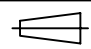


| Item | Part No. | Finish |
|------|------------|----------------------|
| 1 | C250621002 | Bright Nickel-plated |
| 2 | C250625002 | Bright Tin-plated |



FUSE CLIP P.C.BOARD TYPE FOR
5.2x20mm DIAMETER FUSE
SPECIFICATIONS:

- *Electrical Rating : Max. 10A
- *Material: Bronze Thickness: 0.4mm
- *Ear type

| | | |
|---|-----------------|--|
| UNLESS OTHERWISE SPECIFIED DIMENSIONS ARE IN MM TOLERANCE DECIMALS ANGULAR X ± 0.5 ± 2° XX ± 0.25 DO NOT SCALE DRAWING | CUSTOMER NO. | JENN FENG ELECTRIC INDUSTRIAL CO., LTD |
| | DRAWN BY 簡翊如 | |
|   | CHECKED BY | Ø5.2mm FUSE CLIPS |
| | APPROVED BY | |
| P/N B1002019 | DATE 2005/11/17 | PART NO. JEF-501 |
| REV 1.3 | SCALE | DRAWING NO. AA04121501 |